

BC

BEACH CLEANER



Start/stop sifting, working depth control, and hopper opening activated by electro-hydraulic valve from the cabin

Hitch for skid steer loaders meets SAE standard



Quick change of sifters with different-sized screening grates (optional: 10x10mm and 20x20mm)

Optical control of working depth (0-200mm)



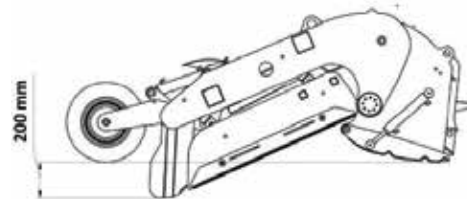
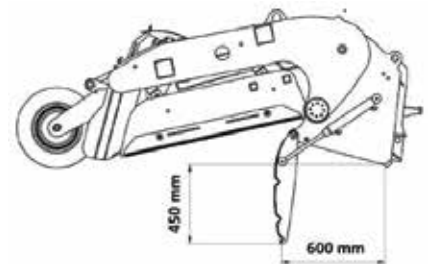
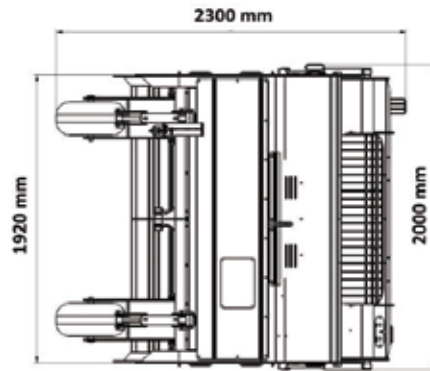
simex.it

SIMEX
your business, our passion

Simex srl - Via Isaac Newton, 29-31-33 - 40017 San Giovanni in Persiceto (BO) - ITALY
phone: +39 (0)51 681 0609 - sales@simex.it

BC

BEACH CLEANER



Hopper capacity	Weight	Pressure	Oil flow	electric system
l	Kg	Max bar	Max l/min	volt
350	660	280	120	12

simex.it